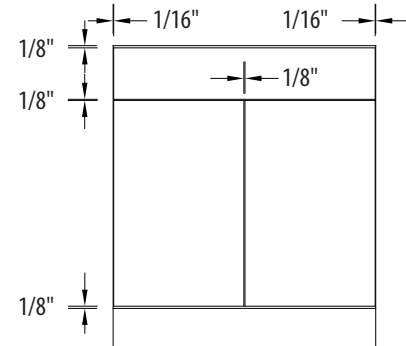


## Door and Drawer Front Reveals

- 1/16" between the door and/or drawer edge and side of cabinet.
- 1/8" horizontally or vertically between the doors and/or fronts
- 1/8" between the door or drawer and the top or bottom of cabinet.



### 1 Cabinet Box

- Choice of 3/4" thick particleboard or plywood box construction includes top, bottom, sides, Toekicks and spreaders
- 1/2" thick fully captured back with 1/2" thick concealed hanging rail
- Lower cabinets have full-width top stretchers across the front and back
- Wood dowel and glue joinery is used
- Construction holes for dowels are 8mm in diameter
- System holes for hinge plates, drawer guides and shelf clips are 5mm

### 2 Exterior

- Standard exterior is unfinished
- Modifications/Accessories include integral finished ends, finished furniture ends and finished end doors

### 3 Interior Finish

#### Plywood

- White Vinyl
- Natural Wood Veneer

#### Particleboard

- White Vinyl
- Wood-Grain Vinyl
- Black Melamine
- Grey Melamine

#### Modifications

- Finished to Match (FMI)
- FMI with Beaded Back
- Beaded Interior Back

### 4 Adjustable Shelves

- 3/4" thick for increased durability
- Base and Vanity adjustable shelves are full depth, for more storage than many brands
- Shelves adjust in 1-1/4" increments
- Installed adjustable shelves feature clear plastic locking shelf clips
- Brass clips are available for loose shelves that are finished to match the door
- Optional Roll-Out trays may be added

### 5 Edge Tape

- Wood styles: .5mm thick ; same species and stain color as face of door
- LPL & HPL styles: .5mm thick PVC edge tape of compatible color
- Greenlam styles: .5mm or 2mm thick ABS, compatible with door face
- Foil styles: matches foil on face of door (Folio & Cadence available with 1.6mm PVC Aluminum tape)

### 6 Drawers and Roll-Outs

- Choice of 1/2" plywood dovetail or 5/8" hardwood dovetail construction
- Roll-outs are 5/8" hardwood dovetail or metal in grey or stainless steel
- All drawers and roll-outs have a 1/4" thick bottom panel that is dadoed front, back and sides for durability
- Metal drawers feature grey or stainless steel sides & rails and 5/8" thick grey melamine bottom & back
- Drawers and roll-outs are maximum depth (not the shorter Vanity depth used by many competitors)

### 7 Drawer/Roll-Out Guides

- All guides are rated for 100lb. capacity and are self-closing and self-adjusting
- **SEGU:** Crème epoxy-coated undermount 3/4 extension
  - **FEGZ:** Zinc w/ ball-bearing, sidemount full-extension
  - **FEGW** or **FEBG:** White or black epoxy-coated w/ball-bearing, sidemount full-extension
  - **UMFEG:** Undermount full-extension
  - **UMFEG-IM:** Undermount full-extension with inMotion "self-closing" system

### 8 Hinges

- Fully concealed, 120° opening, two-piece, 6-way adjustable clip style hinge
- Hinges easily adjust or demount
- Doors over 36" in height will have 3 hinges per door