



5/2010

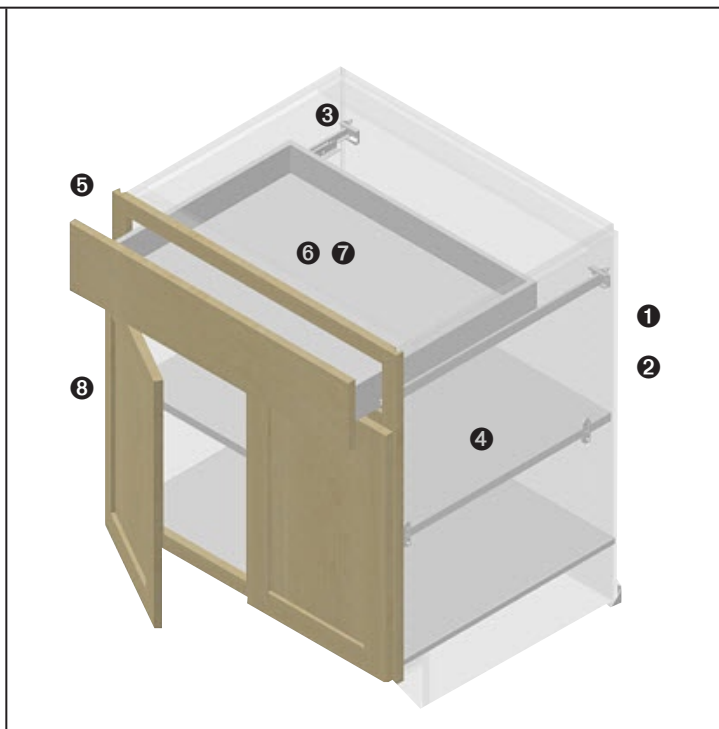
Newcastle Framed Cabinet Specifications

Framed Cabinet Construction

Canyon Creek's Newcastle cabinetry line is designed to provide a high-quality product in a price-competitive marketplace.

Benefits include:

- Fully assembled framed style cabinetry
- Built in Monroe, WA
- One-year warranty
- Durable, low-VOC finish



5 Face Frame

- 3/4" Maple joined with screws and glue for stability
- Full-width frame rails provide extra strength and durability
- Opening size and accessibility are increased by eliminating fixed center mullions on cabinets 36" and less in width

6 Drawers and Roll-outs

- Drawers and roll-outs are 1/2" white melamine with particleboard substrate and edge-banded front
- 1/4" thick, fully captured bottom panel
- Drawers and roll-outs are maximum depth (not the shorter Vanity depth used by many competitors)

1 Cabinet Box

- 1/2" thick particleboard (PBD) box construction
- Dadoed sides lock in the top, bottom and back
- Lower cabinets have two spreaders that are dadoed into the frame

3 Interior Finish

- Particleboard
- White Melamine (MWH)

7 Drawer/Roll-Out Guides

- WE: White epoxy-coated, double-captive side mount 3/4 extension guides are rated for 100 lb. capacity

2 Exterior

- Standard exterior is unfinished. 1/4" Finished End panels are available Loose or Installed.

4 Adjustable Shelves

- 3/4" thick for increased durability
- White melamine or FMI (Finished to Match Interior) Maple stains
- Base and Vanity adjustable shelves are full depth, for more storage than many brands
- Shelves adjust in 1-1/4" increments
- Installed adjustable shelves feature clear plastic locking shelf clips
- Optional Roll-out trays may be added

8 Hinges

- Tailored (1 1/4") Overlay styles come standard with fully concealed, 110°, one-piece, 6-way adjustable, self-closing hinges
- Doors over 36" in height will have 3 hinges per door. Doors over 60" in height will have 4 hinges as standard.



- 1st KCMA Environmental Stewardship Program (ESP) Participant
- ISO 9001:2000 Certified
- EPA Evergreen Award Recipient

Wood components used in cabinetry are a product of nature and include a variety of characteristics. Color variation within a wood species is influenced by a number of factors such as moisture and mineral content of the soil, exposure to sunlight and genetic makeup. Changes in climate, growth rate, soil conditions and damage are a few of the factors that contribute to grain pattern. The tree diameter and type of cut determines the growth ring size and orientation, which in turn affects the grain pattern and color. All of these variations combine to produce unique characteristics that provide the beauty and essence of natural wood.

Maple is a stiff, strong, and heavy wood. Grain patterns are tight and uniform, with a smooth surface. Common characteristics include burl grain, pin knots, heartwood stains, mineral streaks, tiger stripes and caramelizing. Maple varies in color from nearly white to yellow, pink, light purple and slightly reddish brown. It contains a resin called Lignin that causes the wood to turn yellow or amber over time. Exposure to sun or natural light speeds up this process, and it becomes more obvious when light-colored stains or clear finishes are used.

All woods change color over time. The amount of change varies depending on the wood species, type of cut, exposure to natural light, and amount and color of stain pigment used. While color samples give a general idea of the appearance of a specific stain color and wood species combination, it is impossible to represent all of the grain patterns, wood and stain colors, and natural variations that will occur. Because of this, we recommend viewing the largest sample possible before making a final species and color selection.

Maple Stain Color Selections

	Burgundy	Cayenne	Hazelnut	Honey	Natural	Toffee
Maple	X	X	X	X	X	X

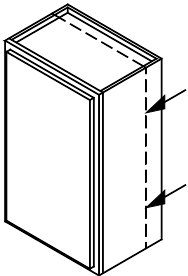
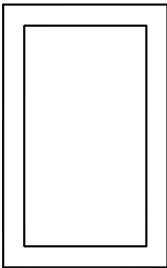
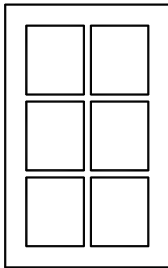
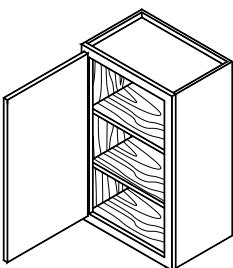
Gloss Level

Gloss level (or sheen) is determined by measuring the amount of light that reflects off a surface under prescribed conditions. We offer two levels of gloss, "Standard" or "Matte." Standard gloss will be provided on all colors except Burgundy, which will be Matte.

For Matte on Burgundy, the topcoat is altered to create a softer, more subtle look. Physical properties and the application process remain the same, so there is no difference in performance between gloss levels. Both Standard and Matte Gloss levels contain "UV inhibitors" that reduce (not eliminate) discoloration from prolonged exposure to natural light. The presence of certain conditions (such as large windows with southern exposure, or direct exposure to the sun) increase the intensity of ultraviolet rays and discolor the finish.

Modifications

Modifications available on selected cabinets - ask your authorized distributor for details

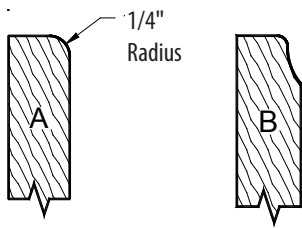
Reduce Depth (RD)	Rout for Glass (RFG)	Mullion Grid Door (MGD)	Finished Interior (FMI)
			

5/2010





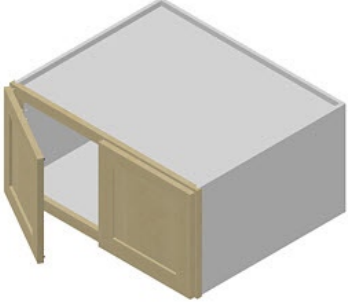
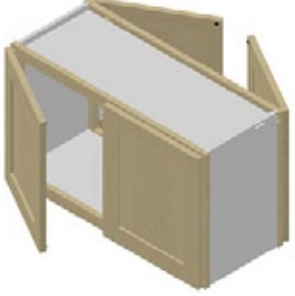



DOOR STYLES

<p style="text-align: center;">Prairie</p> 	<p style="text-align: center;">Bradford Square</p> 	<p style="text-align: center;">Bradford Arched</p> 	<p style="text-align: center;">Easton</p> 
<p style="text-align: center;">Tahoma</p> 			

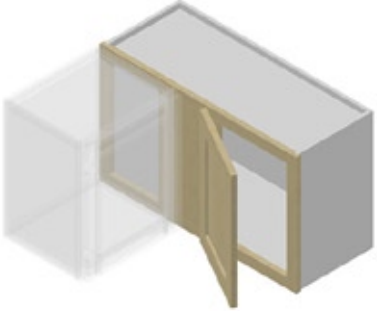
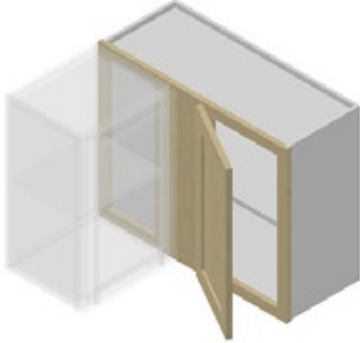
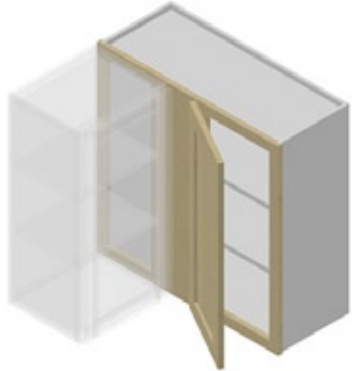
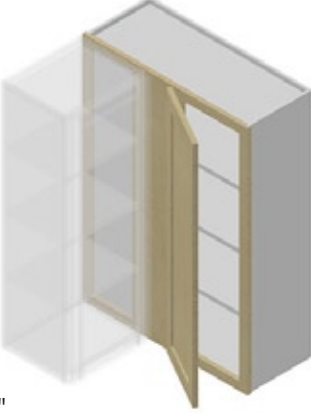
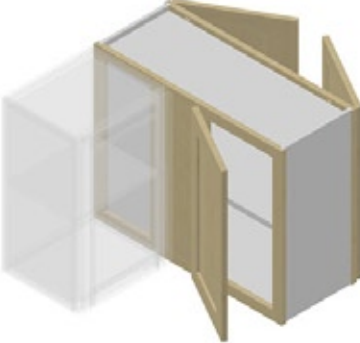
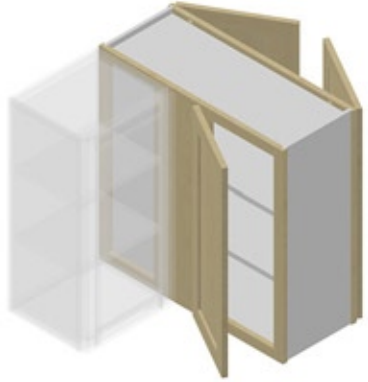
Edge Details

<p>All Newcastle door styles have "Standard" edge details that are unique to each style. A profile drawing is located below the door style picture.</p> <p>Decorative hardware is required for all Newcastle doors and may be ordered separately - see the Accessories section for available hardware options.</p>	<p>Valances, Backsplash material and Wood Countertops are available with A or B edge details. See the Accessories section for details on which edges receive the detail.</p>	



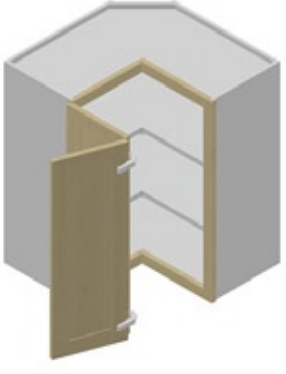


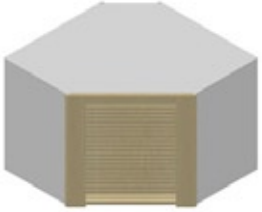
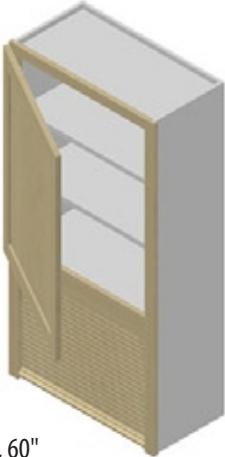
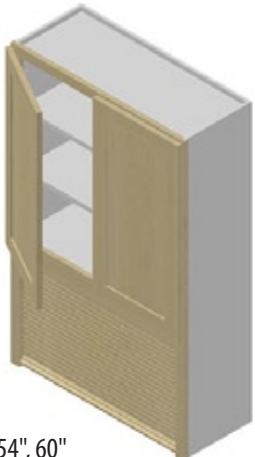
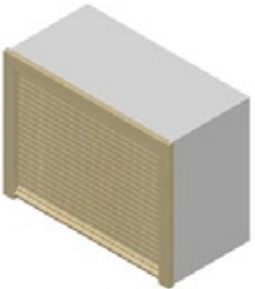
WALL CABINETS (Depth: 12" unless noted)

<p>Wall - No Shelf (W_)</p>  <p>HEIGHTS: 12", 15", 18" WIDTHS: 30", 33", 36" (2 Door)</p>	<p>Wall - 1 Shelf (W_)</p>  <p>HEIGHT: 24" WIDTHS: 30", 33", 36" (2 Door)</p>	<p>Wall - 2 Shelves (W_)</p>  <p>HEIGHTS: 30", 36" WIDTHS: 9", 12", 15", 18", 21, 24" (1 Door) 27", 30", 33", 36" (2 Door) 39", 42", 45", 48" (2 Door w/mullion)</p>
<p>Wall - 3 Shelves (W_)</p>  <p>HEIGHT: 42" WIDTHS: 9", 12", 15", 18", 21, 24" (1 Door) 27", 30", 33", 36" (2 Door) 39", 42", 45", 48" (2 Door w/mullion)</p>	<p>24" Deep Wall - No Shelf (W_X24)</p>  <p>HEIGHTS: 12", 15", 18" WIDTHS: 30", 33", 36" (2 Door)</p>	<p>Wall Double-Entry - No Shelf (WDE_)</p>  <p>HEIGHT: 18" WIDTHS: 30", 36" (2 Door)</p>
<p>Wall Double-Entry - 1 Shelf (WDE_)</p>  <p>HEIGHT: 24" WIDTHS: 30", 36" (2 Door)</p>	<p>Microwave (MUC_)</p>  <p>DEPTH: 21" HEIGHTS: 30", 42" WIDTHS: 27", 30", 33"</p>	<p>Microwave Shelf Cabinet (MSC_)</p>  <p>HEIGHTS: 30", 36", 42" WIDTHS: 24", 27", 30"</p>

WALL CABINETS (Depth: 12" unless noted)

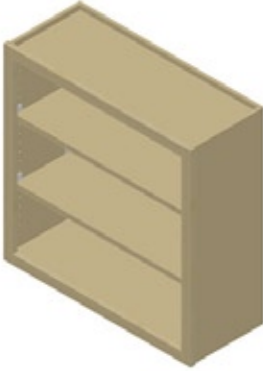




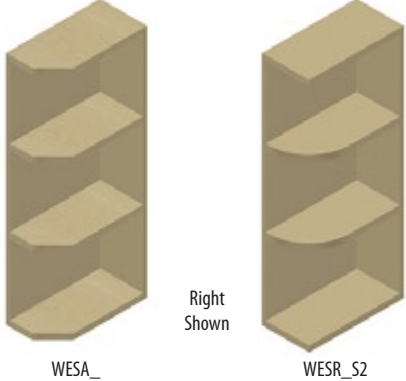
<p>Wall Square Corner - No Shelf (WSC_)</p>  <p>Left Shown (All single door cabinets)</p> <p>HEIGHT: 18" WIDTHS: 30", 36"</p>	<p>Wall Square Corner - 1 Shelf (WSC_)</p>  <p>HEIGHT: 24" WIDTHS: 30", 36" (1 Door) 42", 48" (2 Door)</p>	<p>Wall Square Corner - 2 Shelves (WSC_)</p>  <p>HEIGHTS: 30", 36" WIDTHS: 24", 27", 30", 33", 36" (1 Door) 39", 42", 45", 48" (2 Door)</p>
<p>Wall Square Corner - 3 Shelves (WSC_)</p>  <p>HEIGHT: 42" WIDTHS: 24", 27", 30", 33", 36" (1 Door) 39", 42", 45", 48" (2 Door)</p>	<p>Wall Square Corner Double-Entry 1 Shelf (WSCDE_)</p>  <p>HEIGHT: 24" WIDTH: 30"</p>	<p>Wall Square Corner Double-Entry 2 Shelves (WSCDE_)</p>  <p>HEIGHT: 30" WIDTH: 30"</p>

WALL CABINETS (Depth: 12" unless noted)



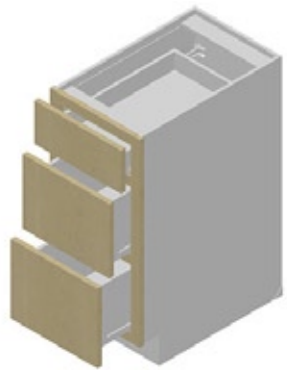
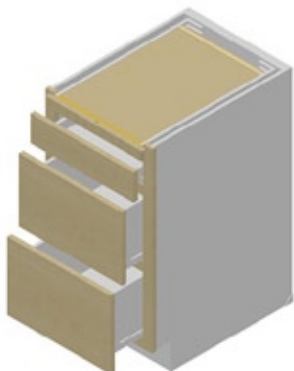

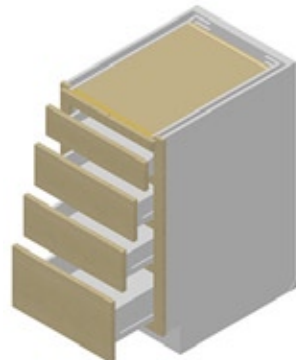
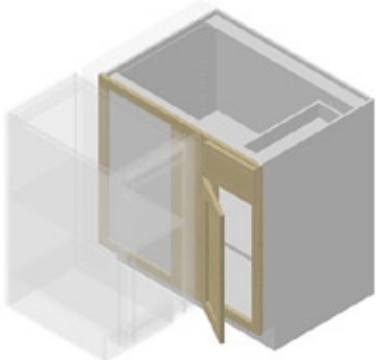

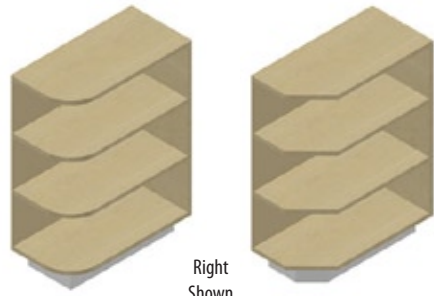
<p>Wall Corner Angle - 2 Shelves (WCA_)</p>  <p>HEIGHTS: 30", 36", 42" WIDTH: 24"</p>	<p>Wall Corner Angle Lazy Susan (WCA_LS)</p>  <p>HEIGHTS: 30", 36", 42" WIDTH: 24"</p>	<p>Wall Corner Cabinet (WCC_)</p>  <p>HEIGHTS: 30", 36", 42" WIDTH: 24"</p>
<p>Wall Corner Angle Appliance Garage (WCAAG_)</p>  <p>HEIGHTS: 48", 54", 60" WIDTH: 24"</p>	<p>Wall Corner Angle Appliance Garage Lazy Susan (WCAAG_LS)</p>  <p>HEIGHTS: 48", 54", 60" WIDTH: 24"</p>	<p>Corner Appliance Garage (CAG_)</p>  <p>HEIGHT: 18" WIDTH: 24"</p>
<p>Wall Appliance Garage 1 Door (WAG_)</p>  <p>HEIGHTS: 48", 54", 60" WIDTH: 24"</p>	<p>Wall Appliance Garage 2 Door (WAG_)</p>  <p>HEIGHTS: 48", 54", 60" WIDTH: 30"</p>	<p>Appliance Garage (AG_)</p>  <p>HEIGHT: 18" WIDTH: 24"</p>

5/2010

WALL CABINETS (Depth: 12" unless noted)

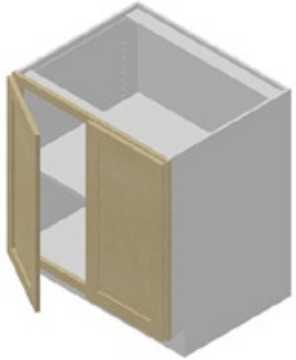

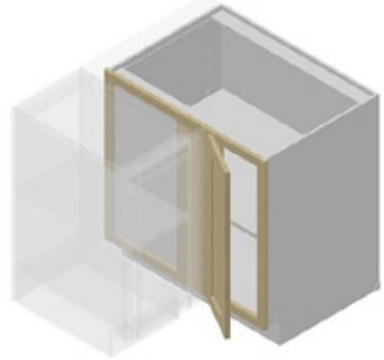
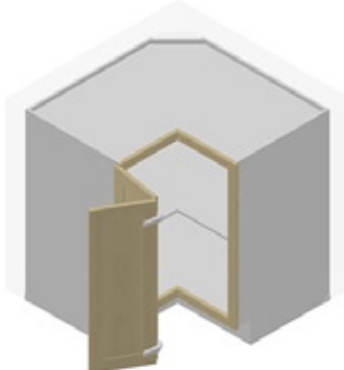
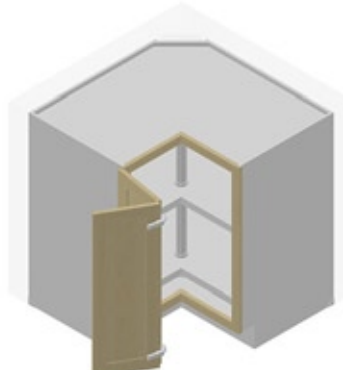


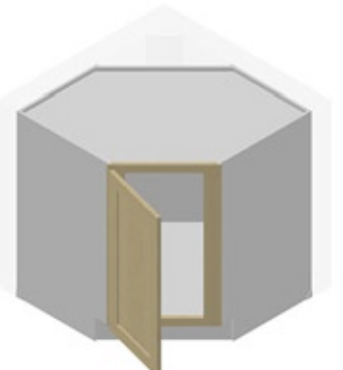

<p>Wall Bookcase (WBC_)</p>  <p>HEIGHTS: 30", 36" WIDTHS: 18", 21", 24", 27", 30", 33", 36"</p>	<p>Wall Bookcase (WBC_)</p>  <p>HEIGHT: 42" WIDTHS: 18", 21", 24", 27", 30", 33", 36"</p>	<p>Wall Wine Rack Lattice (WWRL_)</p>  <p>HEIGHTS: 30", 36", 42" WIDTHS: 18", 24"</p>
<p>Letter Organizer (LO_)</p>  <p>HEIGHT: 6" WIDTHS: 24", 30", 36"</p>	<p>Wall End Angle (WEA_)</p>  <p>HEIGHTS: 30", 36", 42" WIDTH: 12"</p>	<p>Wall End Shelves (WES_)</p>  <p>WESA_ Right Shown WESR_S2</p> <p>HEIGHTS: 30", 36", 42" WIDTH: 12"</p>

BASE CABINETS (Height: 34-1/2", Depth: 24" unless noted)

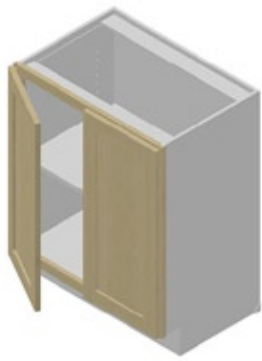

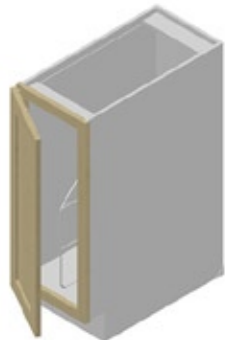
<p>Base (B_)</p>  <p>WIDTHS: 9", 12", 15", 18", 21", 24" (1 Door) 27", 30", 33", 36" (2 Door) 39", 42", 45", 48" (2 Door w/mullion)</p>	<p>Base Sink (BS_)</p>  <p>WIDTHS: 24" (1 Door) 27", 30", 33", 36" (2 Door) 39", 42" (2 Door w/mullion)</p>	<p>Base 3-Drawer (B3D_)</p>  <p>WIDTHS: 15", 18", 21", 24", 27", 30"</p>
<p>Base 3-Drawer - Exposed Breadboard (B3D_EBB)</p>  <p>WIDTHS: 15", 18", 21", 24", 27"</p>	<p>Base 4-Drawer (B4D_)</p>  <p>WIDTHS: 15", 18", 21", 24", 27", 30"</p>	<p>Base 4-Drawer - Exposed Breadboard (B4D_EBB)</p>  <p>WIDTHS: 15", 18", 21", 24", 27"</p>
<p>Base Square Corner (BSC_)</p>  <p>WIDTHS: 36-39", 39-42", 42-45", 45-48", 48-51"</p>	<p>Base Sink Angle (BSA_)</p>  <p>WIDTHS: 36", 42" (1 Door) 45", 48" (2 Door)</p>	<p>Base End Shelves (BES_12)</p>  <p>BESR_12 Right Shown BESA_12</p> <p>WIDTH: 12"</p>

5/2010


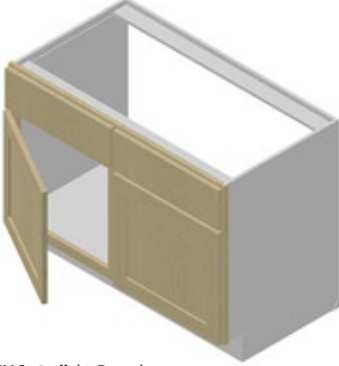

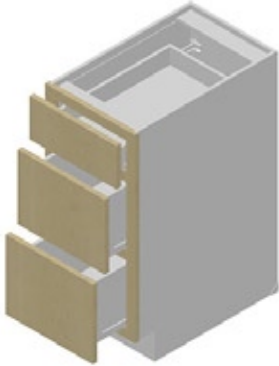
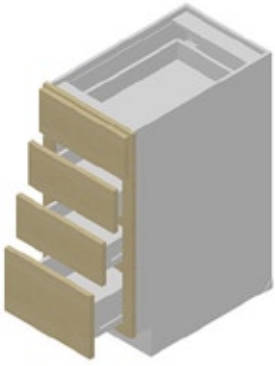
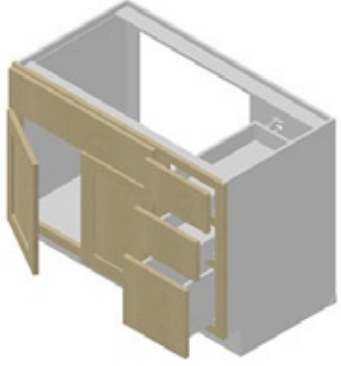

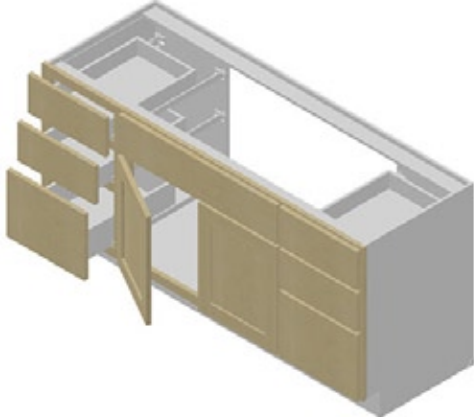
FULL BASE CABINETS (Height: 34-1/2", Depth: 24" unless noted)

<p>Full Base (FB_)</p>  <p>WIDTHS: 9", 12", 15", 18", 21", 24" (1 Door) 27", 30", 33", 36" (2 Door) 39", 42", 45", 48" (2 Door w/mullion)</p>	<p>Full Base Sink (FBS_)</p>  <p>WIDTHS: 24" (1 Door) 27", 30", 33", 36" (2 Door) 39", 42" (2 Door w/mullion)</p>	<p>Full Base Square Corner (FBSC_)</p>  <p>WIDTHS: 36-39", 39-42", 42-45", 45-48", 48-51"</p>
<p>Full Base Corner Cabinet (FBCC_)</p>  <p>WIDTHS: 33", 36"</p>	<p>Full Base Corner - Lazy Susan (FBCC_LS)</p>  <p>WIDTHS: 33", 36"</p>	<p>Full Base Corner Angle (FBCA_)</p>  <p>WIDTH: 36"</p>
<p>Full Base Corner Angle - Lazy Susan (FBCA_LS)</p>  <p>WIDTH: 36"</p>	<p>Full Base Sink Angle (FBSA_)</p>  <p>WIDTHS: 36", 42" (1 Door) 45", 48" (2 Door)</p>	<p>Full Base End Angle (FBEA_)</p>  <p>WIDTH: 24"</p>

FULL BASE CABINETS (Height: 34-1/2", Depth: 24" unless noted)

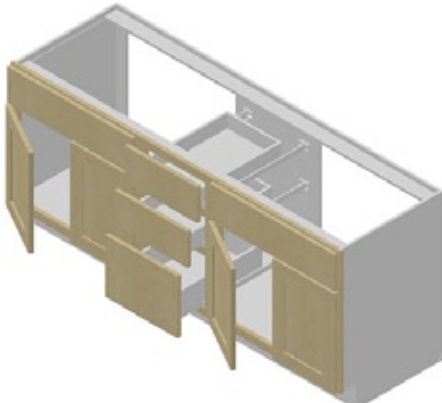
<p>Full Peninsula Starter Cabinet (FPSC_)</p>  <p>WIDTH: 27"</p>	<p>Full Peninsula Starter-Flush Toekick (FPSC_FTK)</p>  <p>WIDTH: 27"</p>	<p>Full Base Tray (FBT_)</p>  <p>WIDTHS: 9", 12" (1 Divider) 15" (2 Dividers)</p>
---	--	---

VANITY CABINETS (Height: 29-1/4" | Vanity Grand Height: 34-1/2" | Depth: 21" unless noted)

<p>Vanity (V_) and Vanity Grand (VG_)</p>  <p>WIDTHS: 12", 15", 18", 21", 24" (1 Door) 27", 30", 33", 36" (2 Door)</p>	<p>Vanity Sink (VS_) and Vanity Grand Sink (VGS_)</p>  <p>WIDTHS: 24" (1 Door) 27", 30", 33", 36" (2 Door) 39", 42", 45", 48" (2 Door w/mullion)</p>	<p>Full Vanity (FV_) and Full Vanity Grand (FVG_)</p>  <p>WIDTHS: 24" (1 Door) 27", 30", 33", 36" (2 Door) 39", 42", 45", 48" (2 Door w/mullion)</p>	
<p>Vanity (V3D_) and Vanity Grand (VG3D_) 3-Drawer</p>  <p>WIDTHS: 12", 15", 18", 21", 24"</p>	<p>Vanity Grand 4-Drawer (VG4D_)</p>  <p>WIDTHS: 12", 15", 18", 21", 24"</p>	<p>Vanity (VS3D_) and Vanity Grand (VGS3D_) Sink 3-Drawer</p>  <p>WIDTHS: 24", 27", 30", 33", 36" (1 Door) 39", 42", 45", 48" (2 Door)</p>	
<p>Vanity (VCOM_) and Vanity Grand (VGCOM_) Combination</p>  <p>WIDTHS: 33", 36", 39", 42", 45", 48" (2 Door) 51", 54", 57", 60" (4 Door)</p>		<p>Vanity (VCD_) and Vanity Grand (VGCD_) Combination Drawers</p>  <p>WIDTHS: 48", 51", 54", 57", 60"</p>	

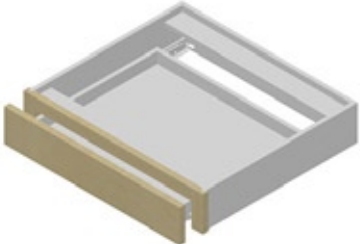
VANITY CABINETS (Height: 29-1/4" | Vanity Grand Height: 34-1/2" | Depth: 21" unless noted)

Vanity (V2SD_) and Vanity Grand (VG2SD_)
Double Sink Drawers



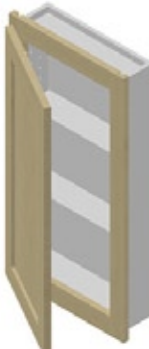
WIDTHS: 60", 63", 66", 69", 72"

Desk Drawer Cabinet (DDC_)




WIDTHS: 24", 27", 30", 33", 36"

Medicine Cabinet (MC_)



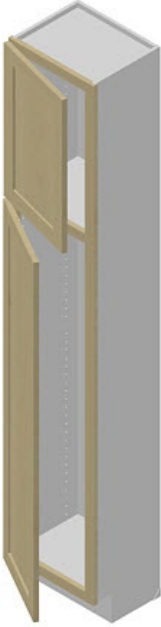


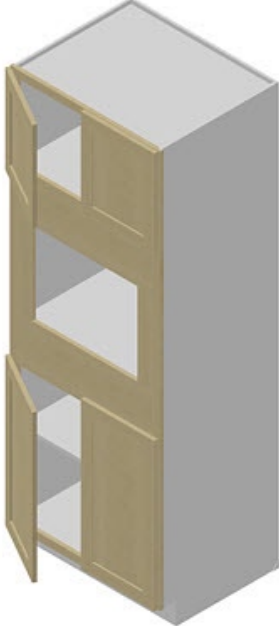
WIDTH: 15"

Vanity File Drawer (VFD_)

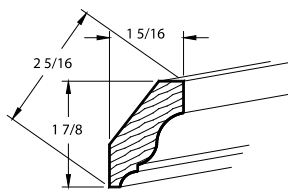
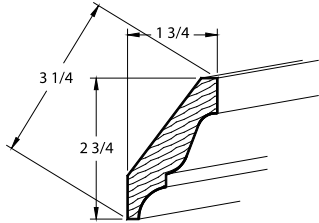
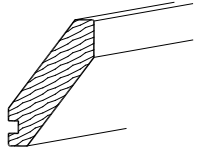
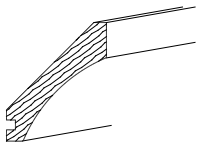
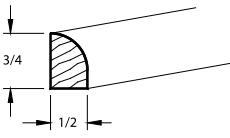
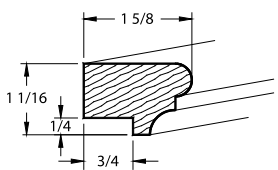
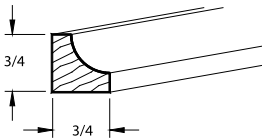
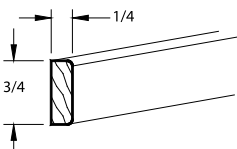
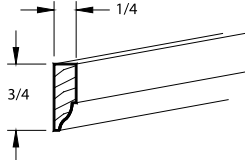
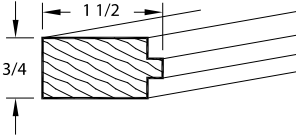
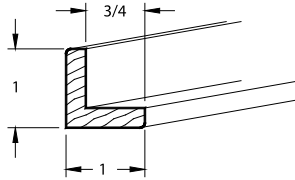
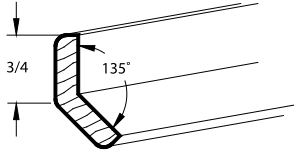


WIDTHS: 18", 21", 24"

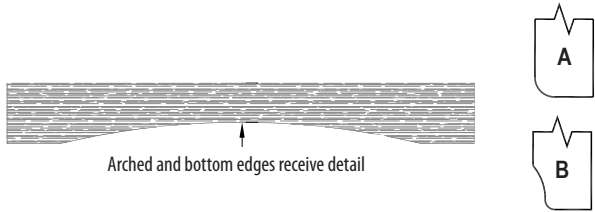
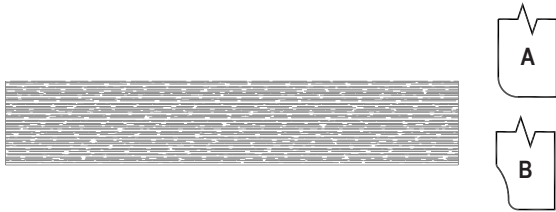
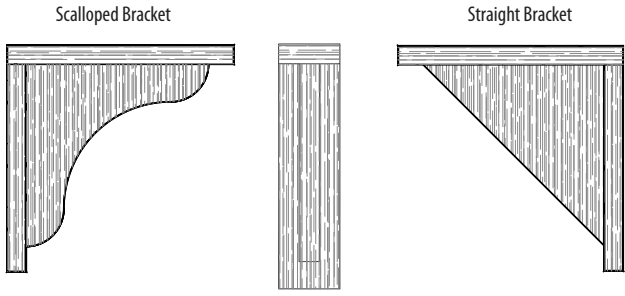
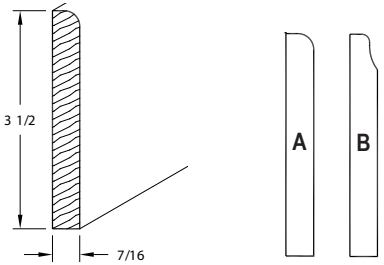
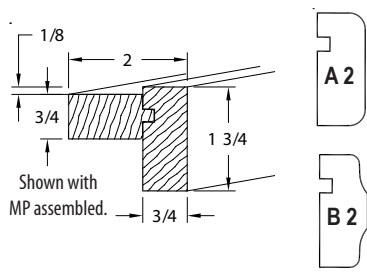
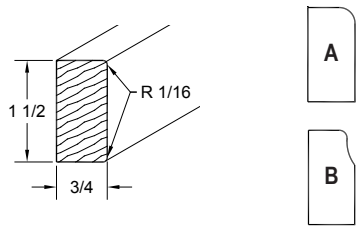
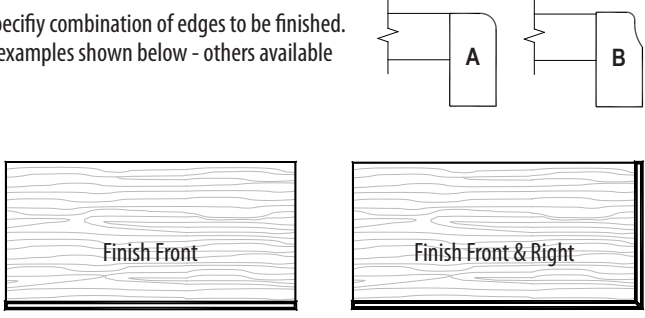
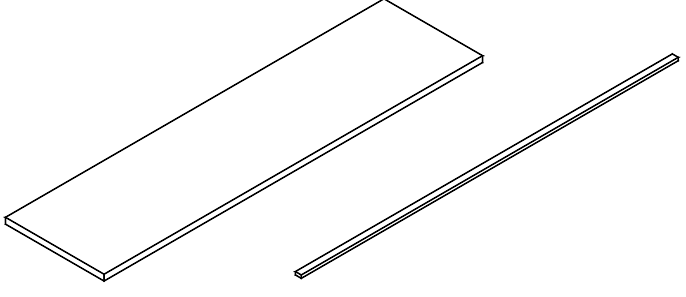
TALL CABINETS

<p>Utility - 12" Deep (U_X12)</p>  <p>HEIGHTS: 84", 90", 96" WIDTHS: 15", 18", 21", 24" (2 Door)</p>	<p>Utility - 21" Deep (U_X21) Utility - 24" Deep (U_X24)</p>  <p>HEIGHTS: 84", 90", 96" WIDTHS: 15", 18", 21", 24" (2 Door) 27", 30", 33", 36" (4 Door)</p>	
<p>Universal Oven - 1 Shallow Drawer (UOV_1S)</p>  <p>HEIGHTS: 84", 90", 96" WIDTHS: 30", 33"</p>	<p>Universal Oven - Full Base (UOV_FB)</p>  <p>HEIGHTS: 84", 90", 96" WIDTHS: 30", 33"</p>	

5/2010


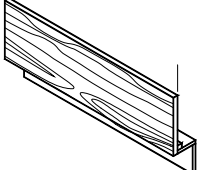
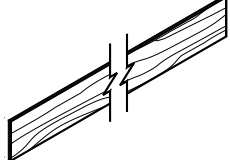
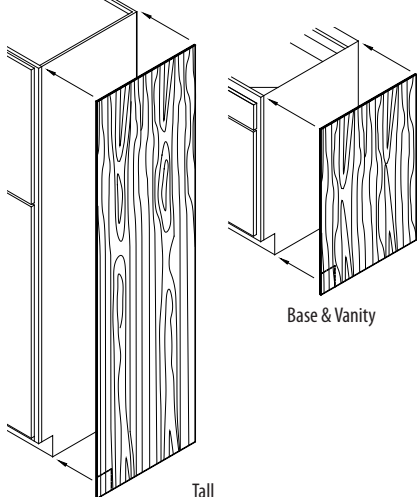
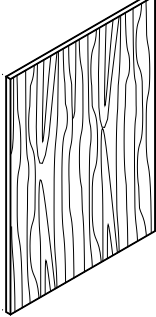
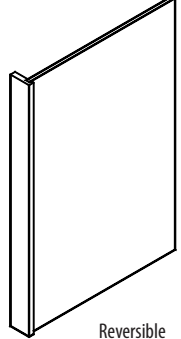
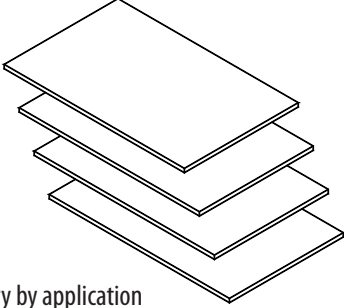
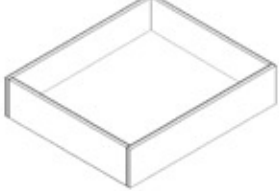
<p>Crown Moulding 2 (CRWN2_)</p>  <p>LENGTHS: 96", 120"</p>	<p>Crown Moulding 3 (CRWN3_)</p>  <p>LENGTHS: 96", 120"</p>	<p>Crown Moulding 3S - Prepped for Mounting Plate (CRWN3S_MP)</p>  <p>LENGTHS: 96", 120"</p>
<p>Crown Moulding CV3 - Prepped for Mounting Plate (CRWNCV3_MP)</p>  <p>LENGTHS: 96", 120"</p>	<p>Base Shoe Moulding (BSHM_)</p>  <p>LENGTHS: 96", 120"</p>	<p>Cornice Moulding (COR_)</p>  <p>LENGTH: 96"</p>
<p>Inside Corner Moulding (ICM_)</p>  <p>LENGTH: 96"</p>	<p>Scribe Moulding (MS_)</p>  <p>LENGTH: 96"</p>	<p>Ogee Moulding (OGM_)</p>  <p>LENGTH: 96"</p>
<p>Mounting Plate (MP_)</p>  <p>LENGTHS: 96", 120"</p>	<p>Outside Corner Moulding (OCM_)</p>  <p>LENGTH: 96"</p>	<p>Outside Corner 135° Moulding (OC135M_)</p>  <p>LENGTH: 96"</p>

5/2010

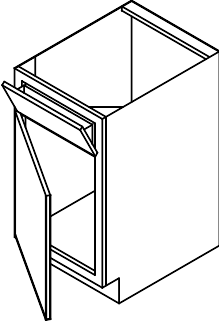
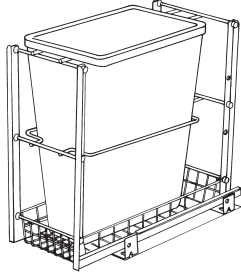
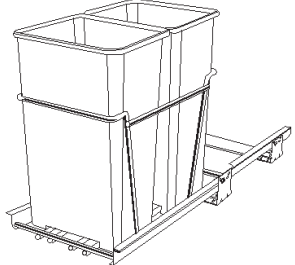


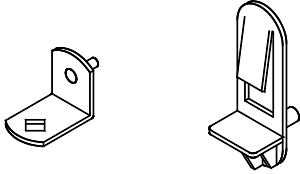
<p>Arched Valance (AVAL_)</p>  <p>Arched and bottom edges receive detail</p> <p>LENGTHS: 36", 42", 48", 96"</p>	<p>Straight Valance (SVAL_)</p>  <p>LENGTH: 96"</p>	
<p>Brackets - Straight (BRACK_) and Scalloped (BRACK_S)</p>  <p>Scalloped Bracket Straight Bracket</p> <p>HEIGHTS: 9", 12", 15" HEIGHTS: 9", 12"</p>		
<p>Backsplash (BSP_)</p>  <p>3 1/2</p> <p>7/16</p> <p>A B</p> <p>LENGTHS: 96", 120"</p>	<p>Light Valance (LV1.75_)</p>  <p>1/8 2</p> <p>3/4 1 3/4</p> <p>3/4</p> <p>Shown with MP assembled.</p> <p>A2 B2</p> <p>LENGTHS: 96", 120"</p>	<p>Self Edge (SE_)</p>  <p>1 1/2</p> <p>3/4</p> <p>R 1/16</p> <p>A B</p> <p>LENGTHS: 96", 120"</p>
<p>Finished Wood Tops (WTF_)</p> <p>Specify combination of edges to be finished. 2 examples shown below - others available</p>  <p>A B</p> <p>Finish Front Finish Front & Right</p>	<p>Raw Countertop Material (CT_) & Riser (RISER_)</p>  <p>LENGTH: 96" LENGTH: 96"</p>	

5/2010

ACCESSORIES

<p>Scribe Filler (SF_)</p>  <p>LENGTHS: 30", 36", 42", 96" WIDTHS: 3", 6"</p>	<p>Under Range Panel (URP_)</p>  <p>LENGTH: 30"</p>	<p>Toeboard Front (TBF_)</p>  <p>LENGTH: 96"</p>
<p>1/4" Finished Ends (FE_) and Finished Panels (FP_)</p>  <p>Base & Vanity</p> <p>Tall</p> <p>Sizes vary by application</p>	<p>3/4" Finished Panels (FP_)</p>  <p>Sizes vary by application</p>	<p>End Panels (_EP_)</p>  <p>Reversible</p> <p>Sizes vary by application</p>
	<p>Utility Shelf Kit (USK_)</p>  <p>Sizes vary by application</p>	<p>Loose Drawer Box (DBOX) and Roll-out Trays (RO_)</p>  <p>Sizes vary by application</p>

ACCESSORIES

<p>Tip-Out Trays (TO_)</p> <p>Cabinet not included</p>  <p>WIDTHS: 11", 14"</p>	<p>Single Trash Pull-Out (TPO1)</p>  <p>SIZE: 9-1/2" W x 15-1/2" D x 18" H</p>	<p>Double Trash Pull-Out (TPO2_)</p>  <p>SIZES: TPO2S - 10-7/8" W x 10-7/8" D x 17-7/8" H TPO2L - 14-1/4" W x 10-3/8" D x 18" H</p>
<p>Decorative Hardware</p>  <p>Shown in Chrome</p> <p>White, Chrome, Satin Nickel, Polished Brass</p>	<p>Loose Drawer Guides (WES_)</p>  <p>LENGTHS: 15", 18", 21"</p>	<p>Adjustable Shelf Clips</p>  <p>Brass (SC-B) Pack of 5</p> <p>Plastic (SC-P) Pack of 20</p>