

# NEWCASTLE CABINetry



Offering quality cabinetry at a lower price – and the great customer service you expect from Canyon Creek!

## EASY INSTALLATION

- Fully assembled framed style cabinetry

## POPULAR OPTIONS

- Maple in seven popular stain colors, plus white thermofoil

## CANYON CREEK QUALITY & SERVICE

- Manufactured in Monroe, WA
- One-year Warranty

## SAFE INDOOR AIR

- Durable, low-VOC finish



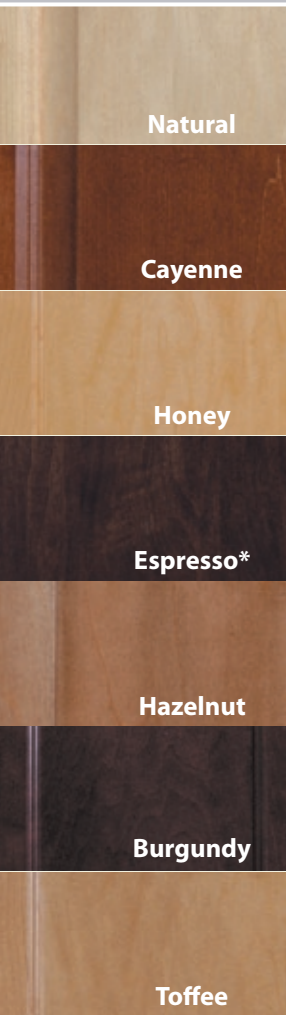
See other side for Newcastle construction & door styles!



Built in Monroe, WA

**CANYON CREEK**  
Cabinet Company

# NEWCASTLE CABINETS



These samples are representations only, as maple will vary in color, density and grain pattern. Please note that the limitations of print do not allow for accurate color representation. See your authorized Canyon Creek sales rep to view an actual wood sample.



**PRAIRIE**  
1/4" recessed panel  
with 2-1/4" stiles & rails



**EASTON**  
1/4" recessed panel  
with mitered 2-1/4" stiles & rails



**TAHOMA**  
3/4" panel in  
white thermofoil



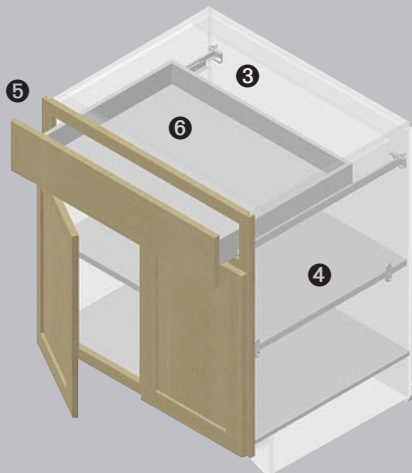
**BRADFORD: SQUARE & ARCH**  
3/4" raised panel with 2-3/8" stiles & rails



## Select Style

Newcastle doors were carefully selected to provide a range of popular looks. Each door style features a standard edge detail, and the slab drawer fronts will have a matching edge detail to the door style chosen.

\*Espresso available on Prairie & Bradford styles only



## Newcastle Construction

### 1: Cabinet Box

- 1/2" thick particleboard (PBD) box construction

### 2: Exterior

- Standard exterior is unfinished
- 1/4" Finished End panels are available loose

### 3: Interior Finish

- White Melamine (MWH)

### 4: Adjustable Shelves

- 3/4" thick, full-depth shelves adjust in 1-1/4" increments
- Loose Roll-out trays available

### 5: Face Frame

- 3/4" Maple joined with screws and glue for stability
- Full-width frame rails provide extra strength and durability
- Tailored 1-1/4" Overlay

### 6: Drawers/Guides

- Drawers and roll-outs are 1/2" white melamine with particleboard substrate and edge-banded front or 1/2" plywood with dovetail with natural wood finish
- 1/4" thick, fully captured bottom panel
- White epoxy-coated, double-captive side mount 3/4 extension guides are rated for 100 lb. capacity

**CANYON CREEK**  
Cabinet Company